



Essential Smartbright LED

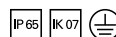
BVP161 LED60/NW 70W 220-240V WB GOLD

Philips Essential SmartBright LED Floodlight not only ensures savings on initial capital, but also delivers reliable operational savings.

Product data

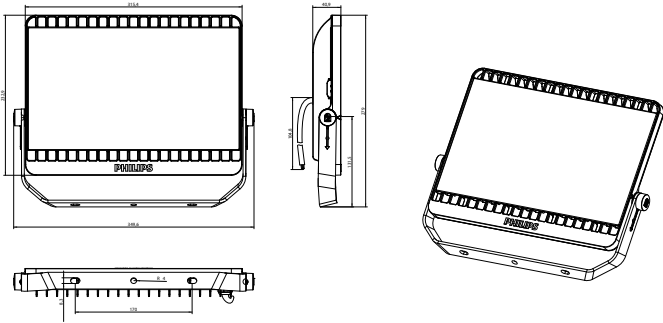
General Information	
Driver included	Yes
Protection class IEC	Safety class I
CE mark	CE mark
Spare parts available	No
Operating and Electrical	
Input Voltage	220-240 V
Input Frequency	50 to 60 Hz
Mechanical and Housing	
Housing Material	Aluminum die-cast
Optic material	Polycarbonate
Optical cover/lens material	Polycarbonate
Overall length	315.5 mm
Overall width	233.5 mm
Overall height	41 mm
Approval and Application	
Ingress protection code	IP65 [Dust penetration-protected, jet-proof]
Mech. impact protection code	IK07 [2 J reinforced]

Over Time Performance (IEC Compliant)	
Median useful life L70B50	30000 h
Application Conditions	
Ambient temperature range	-40 to +45 °C
Average ambient temperature	35 °C
Product Data	
Full product code	871016330447299
Order product name	BVP161 LED60/NW 70W 220-240V WB GOLD
EAN/UPC - Product	8710163304472
Order code	911401809598
Numerator - Quantity Per Pack	1
Numerator - Packs per outer box	6
Material Nr. (12NC)	911401809598
Net Weight (Piece)	2.000 kg



Essential Smartbright LED

Dimensional drawing



BVP161 Essential Smartbright LED

